



# DivioTec NBD521A Dual Light Bullet Camera

Vandal-resistant motorized 5MP bullet with edge analytics

Dual Light technology combines white LED and infrared (IR) illumination for flexible night surveillance. When people or objects are detected in low light or darkness, the camera automatically switches from IR to white light, providing full-color video and supporting active deterrence. Edge AI analytics provide real-time detection, while audio and I/O connectivity support extended system integration for smarter, proactive security. Robust IP67 and IK10 ratings for deployment in high-risk, vandal-prone environments including correctional facilities, perimeter security zones, defense installations, and critical infrastructure sites.

- Dual Light technology:  
Smart IR+ 55 m and white LEDs 30 m
- LightSolver II™ and extreme WDR 140dB
- Remote zoom and focus for full-area coverage
- IP67 weatherproof, IK10 vandal resistance
- Advanced edge analytics minimize false alarms (ONVIF® Profile M)
- Edge storage enables failover recording (ONVIF® Profile G)
- NDAA compliance



5MP at 30fps



H.265



S-WDR



IR 55M



White LEDs 30M



Video  
Analysis



Defog



Audio



Alarm  
In/Out



SD Card



PoE



IP67



IK10



-40°C~60°C

# DivioTec NBD521A Bullet Camera

Camera	
<b>Image sensor</b>	1/2.8" 5MP Progressive CMOS
<b>Lens</b>	Motorized lens, 3.29–10.64 mm, F1.65–F3.22 Field of view (H/V/D): 103.6°-28.5°/75.5°-21.4°/143.8°-35.7° Remote zoom and focus, P-Iris, IR corrected
<b>Day and night</b>	ICR
<b>Minimum illumination</b>	<b>With LightSolver II™:</b> <b>Color:</b> 0.006 lux <b>B/W:</b> 0.0009 lux; 0 lux (IR on)
<b>Shutter speed</b>	1/71428 s to 1/3 s

Video	
<b>Video compression</b>	H.265/H.264/MJPEG
<b>Resolution</b>	2592 x 1944 to 320 x 240
<b>Frame rate</b>	<b>H.265/H.264:</b> Up to 30 fps in all resolutions; up to 60 fps at 1920 x 1080 <b>Motion JPEG:</b> Up to 15 fps in all resolutions
<b>Video streaming</b>	Triple, individually configurable streams in H.265, H.264, and Motion JPEG Controllable frame rate and bandwidth (VBR/CVBR) for H.265/H.264/Motion JPEG
<b>WDR</b>	Up to 140 dB depending on scene
<b>Profile management</b>	Support up to configurable 10 schedules (Day/Night/Manual) with start time and duration
<b>Image settings</b>	Saturation, contrast, brightness, sharpness, white balance, backlight compensation, noise reduction, hue adjustment, day/night threshold, gain control, defog, dynamic text, rotation: 0°, 90°, 180°, 270°, mirroring
<b>Motion detection</b>	5 areas
<b>Privacy masks</b>	5 areas
<b>ROI (Region of Interest)</b>	5 areas

Audio	
<b>Audio features</b>	Automatic gain control Audio Detection
<b>Audio streaming</b>	Two-way audio
<b>Audio encoding</b>	G.711 8KHz, 8 bits (A-Law/U-Law)
<b>Audio input/output</b>	Line input/line output

Security	
<b>Network protocols</b>	IPv4, IPv6, HTTP, HTTPS, TCP/IP, UDP, UPnP, RTSP, RTCP, RTP, SMTP, NTP, DHCP, FTP, Zero Configure, 802.1x, Firewall, NFS, DNS, DDNS, SNMP v2c/v3, QoS, LDAP, ICMP, Bonjour, SSL, RTMP

System integration	
<b>Application</b>	Open API for software integration ONVIF® Profile G, S, T, M, specifications at onvif.org
<b>Event conditions</b>	Analytics, scheduled event Device status: motion detection, tampering alarm, audio detection, network loss detection I/O: alarm input, audio input
<b>Event actions</b>	Record video: SD card and network share Upload of snapshots or video clips: FTP, HTTP network share, and email Notification: email, HTTP, TCP, FTP, SMTP External output, alarm output activation

Analytics	
<b>Advanced</b>	<b>Object classes:</b> human, vehicles <b>Scenarios:</b> behavior detection and counting analytics, including line crossing, intrusion, loitering, wrong way
<b>Essential</b>	Object left, object removed

Approvals	
<b>EMC</b>	CE/FCC
<b>Safety</b>	UL
<b>Environment</b>	IP67, IK10

General	
<b>Casing</b>	Color: white
<b>Power</b>	Power over Ethernet (PoE) IEEE 802.3af class 3, max. 7.5 W DC 12V, max 6.5 W
<b>Connectors</b>	RJ45 10/100 BASE-T PoE DC power input Audio: line in/ line out Alarm: line in /line out

<b>3-Axis Adjustment</b>	Pan: 360° Tilt: ± 90° Rotation: 350°
--------------------------	--

<b>Illumination</b>	IR LEDs: 55 m (180 ft) or more depending on scene White LEDs: 30 m (98 ft) or more depending on scene
---------------------	--

<b>Reset Button</b>	Support
---------------------	---------

<b>Storage</b>	Support for microSD/microSDHC/microSDXC card Snapshot to network storage
----------------	---

<b>Browser</b>	Google Chrome, Microsoft Edge, Firefox, Safari
----------------	--

<b>Operating Conditions</b>	Temperature: -40 °C to 60 °C (-40 °F to 140 °F) Humidity: 10-90% (non-condensing)
-----------------------------	--

<b>Storage Conditions</b>	Temperature: -40 °C to 60 °C (-40 °F to 140 °F)
---------------------------	---

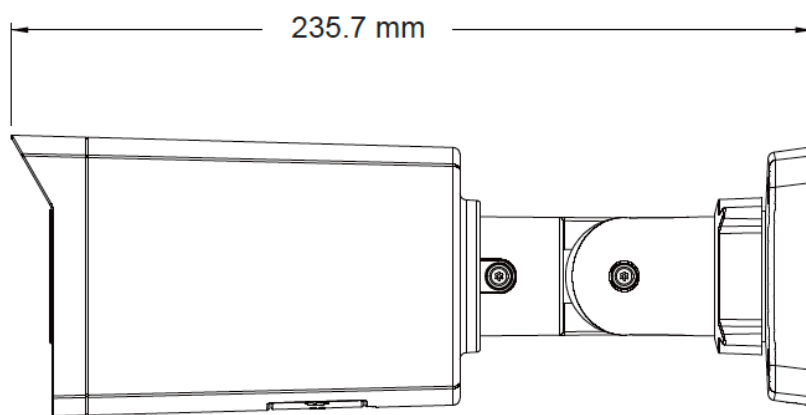
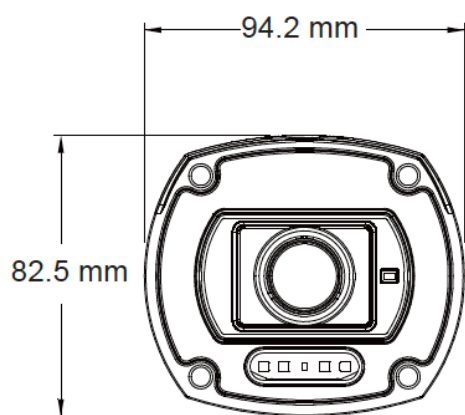
<b>Dimensions</b>	Length: 235.7 mm (9.28 in) Width: 94.2 mm (3.71 in) Height: 82.5 mm (3.25 in)
-------------------	---

<b>Weight</b>	815 g (1.80 lb)
---------------	-----------------

<b>Language</b>	English/Traditional Chinese
-----------------	-----------------------------

<b>Ordering Information</b>	NBD521A 5MP dual-light bullet, motorized lens, IP67, IK10
-----------------------------	---

## Dimension Drawing



2026-06-04 released  
Specifications are subject to change without notice.  
Copyright © DivioTec Inc. 2026  
All Rights Reserved