



# DivioTec NBD821A Dual Light Bullet Camera

Vandal-resistant motorized 8MP bullet with edge analytics

Dual Light technology combines white LED and infrared (IR) illumination for flexible night surveillance. When people or objects are detected in low light or darkness, the camera automatically switches from IR to white light, providing full-color video and supporting active deterrence. Edge AI analytics provide real-time detection, while audio and I/O connectivity support extended system integration for smarter, proactive security. Robust IP67 and IK10 ratings for deployment in high-risk, vandal-prone environments including correctional facilities, perimeter security zones, defense installations, and critical infrastructure sites.

- Dual Light technology:  
Smart IR+ 55 m and white LEDs 30 m
- LightSolver II™ and extreme WDR 140dB
- Remote zoom and focus for full-area coverage
- IP67 weatherproof, IK10 vandal resistance
- Edge analytics minimize false alarms (ONVIF® Profile M)
- Edge storage enables failover recording (ONVIF® Profile G)
- NDAA compliance



8MP at 30fps



H.265



S-WDR



IR 55M



White LEDs 30M



Video  
Analysis



Defog



Audio



Alarm  
In/Out



SD Card



PoE



IP67



IK10



-40°C~60°C

# DivioTec NBD821A Bullet Camera

Camera	
Image sensor	1/2.8" 5MP Progressive CMOS
Lens	Motorized lens, 4.4–9.5 mm, F1.35–F2.17 Field of view (H/V/D): 113.8°-43.8°/59.1°-27°/139°-55.5° Remote zoom and focus, P-Iris, IR corrected
Day and night	ICR
Minimum illumination	<b>With LightSolver II™:</b> Color: 0.006 lux B/W: 0.0009 lux; 0 lux (IR on)
Shutter speed	1/71428 s to 1/3 s

Video	
Video compression	H.265/H.264/MJPEG
Resolution	2592 x 1944 to 320 x 240
Frame rate	<b>H.265/H.264:</b> Up to 30 fps in all resolutions <b>Motion JPEG:</b> Up to 15 fps in all resolutions
Video streaming	Triple, individually configurable streams in H.265, H.264, and Motion JPEG Controllable frame rate and bandwidth (VBR/CVBR) for H.265/H.264/Motion JPEG
WDR	Up to 140 dB depending on scene
Profile management	Support up to configurable 10 schedules (Day/Night/Manual) with start time and duration
Image settings	Saturation, contrast, brightness, sharpness, white balance, backlight compensation, noise reduction, hue adjustment, day/night threshold, gain control, defog, dynamic text, rotation: 0°, 90°, 180°, 270°, mirroring

Motion detection	5 areas
Privacy masks	5 areas
ROI (Region of Interest)	5 areas

Audio	
Audio features	Automatic gain control Audio Detection
Audio streaming	Two-way audio
Audio encoding	G.711 8KHz, 8 bits (A-Law/U-Law)
Audio input/output	Line input/line output

Security	
Network protocols	IPv4, IPv6, HTTP, HTTPS, TCP/IP, UDP, UPnP, RTSP, RTCP, RTP, SMTP, NTP, DHCP, FTP, Zero Configure, 802.1x, Firewall, NFS, DNS, DDNS, SNMP v2c/v3, QoS, LDAP, ICMP, Bonjour, SSL, RTMP

System integration	
Application	Open API for software integration ONVIF® Profile G, S, T, M, specifications at onvif.org
Event conditions	Analytics, scheduled event Device status: motion detection, tampering alarm, audio detection, network loss detection I/O: alarm input, audio input
Event actions	Record video: SD card and network share Upload of snapshots or video clips: FTP, HTTP network share, and email Notification: email, HTTP, TCP, FTP, SMTP External output, alarm output activation

Approvals	
Advanced	<b>Object classes:</b> human, vehicles <b>Scenarios:</b> behavior detection and counting analytics, including line crossing, intrusion, loitering, wrong way

Essential	Object left, object removed
-----------	-----------------------------

Approvals	
EMC	CE/FCC
Safety	UL
Environment	IP67, IK10

General	
Casing	Color: white
Power	Power over Ethernet (PoE) IEEE 802.3af class 3, max. 8.05w DC power input DC 12V, max 6.84 W
Connectors	RJ45 10/100 BASE-T PoE DC power input Audio: line in/ line out Alarm: line in /line out

3-Axis Adjustment	Pan: 360° Tilt: ± 90° Rotation: 350°
-------------------	--

Illumination	IR LEDs: 55 m (180 ft) or more depending on scene White LEDs: 30 m (98 ft) or more depending on scene
--------------	--

Reset Button	Support
--------------	---------

Storage	Support for microSD/microSDHC/microSDXC card Snapshot to network storage
---------	---

Browser	Google Chrome, Microsoft Edge, Firefox, Safari
---------	--

Operating Conditions	Temperature: -40 °C to 60 °C (-14 °F to 140 °F) Humidity: 95% (non-condensing)
----------------------	---

Storage Conditions	Temperature: -20 °C to 60 °C (-4 °F to 140 °F)
--------------------	--

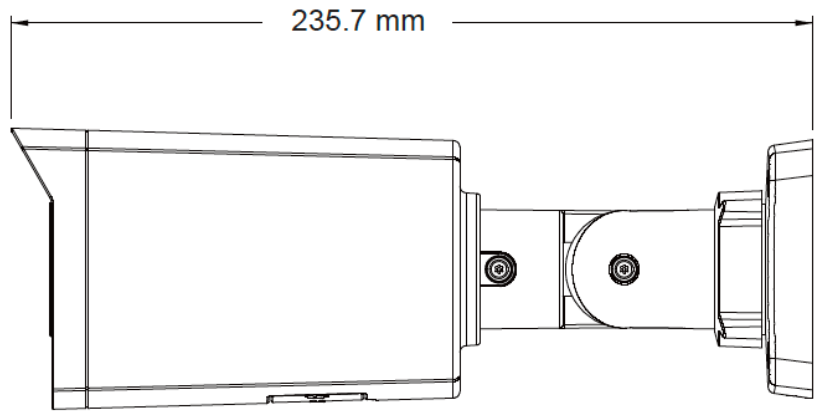
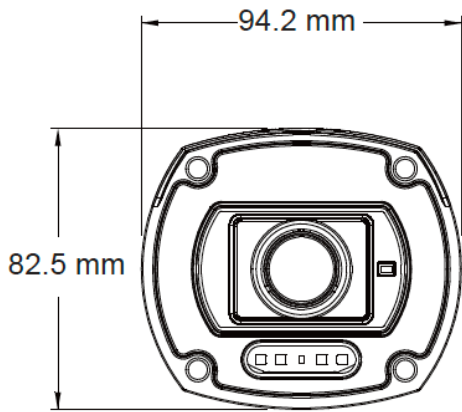
Dimensions	Length: 235.7 mm (9.28 in) Width: 94.2 mm (3.71 in) Height: 82.5 mm (3.25 in)
------------	---

Weight	815 g (1.80 lb)
--------	-----------------

Language	English/Traditional Chinese
----------	-----------------------------

Ordering Information	NBD821A 8MP dual-light bullet, motorized lens, IP67, IK10
----------------------	---

## Dimension Drawing



2026-06-04 released  
Specifications are subject to change without notice.  
Copyright © DivioTec Inc. 2026  
All Rights Reserved