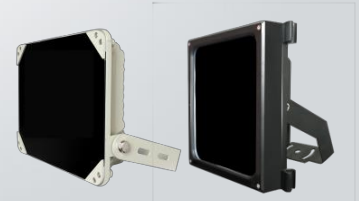


TBR925

H.265 3MP at 30fps, SpeedCatch™ SoC,
Speed of Vehicles 0-250km/h (0-155 mile/h),
Up to 150M (492ft) Captured Distance.
IP66 Weatherproof,
License Plate Capture Network Camera



SpeedCatch™ SoC designed to capture clear car plates on moving vehicle at up to 250 km/h speed. It is ideal for highway and city surveillance application.

Avoid image distortion on high-speed vehicle, ensuring in-depth detail of fast-moving and high-paced vehicle, such as collection of highway traffic violation evidence, or toll collection points control for container logistics.

The extreme WDR with multi shutter enhancement enable camera to produce detailed and true color images, even with difficult lighting situations such as strong lighting environment.

Embedded with rich IO ports. It can be used to trigger sensors such as flash light, accessory control, in order to fit difficult installation requirements on highway application.

- SpeedCatch™ SoC support vehicle speed up to 250 km/h (0-155 mile/h)
- 1/1.8" 3MP Sony progressive sensor
- 3-Megapixel Resolution @ 30 fps, support H.265
- Up to 150M (492ft) car-plate capture distance
- Digital lighting sensor with switch on adjustable lux threshold
- Extreme Wide Dynamic Range (WDR) with Multi Shutters (140dB)
- Hard Coated Cover with Rain-wash Coating
- Sturdy Camera Body from Aluminum Die Casting
- IP66 Weatherproof
- Wide Operating Temperature for Extreme Weather Conditions -10°C to 50°C /14°F to 122°F
- Rich I/O support:
Alarm-in/out x2, Line-in/-out x1, Strobe x1, RS232 x1(optional), RS485 x1(optional), Flash x1(optional)
- With strobe control IO to sync exposure time with external IR lamp
- Support micro SD card slot
- Support ONVIF

Specifications



Sensor	
Image Sensor	1/1.8" 3MP Sony progressive sensor
Effective Pixels	2048 (H) x 1536 (V)
Minimum Illumination	Color: 0.01 lux.; B/W: 0.0009 lux. @ F1.8
LPR	
License Plate	Reflective, Non-reflective
License Plate Capture Range	30M~150M (96 ~492ft)
Speed of the Vehicle	0~250km/h or 0-155 mile/h *The best testing result is under sufficient lighting condition
Build-in Installation Aids	15x digital zoom
Lens	
Lens Type	Vari-focal
Focal Length	25mm-135mm, F1.8
Iris	P-Iris
Field of View	20.7°-3.9°(D)/ 16.2°-3.1°(H)/ 12.0°-2.4°(V)
External IR Illuminator	
Illumination Distance	150M (492ft)
LED Type	IR LEDs / Strobe IR LEDs (optional) / White LEDs (optional) / Strobe White LEDs (optional)
Image Setting	
Digital Zoom	1-15x, Arrow Key
Image Adjustment	Brightness (Value: 0-100), Contrast (Value: 0-100), Saturation (Value: 0-100), Sharpness(Value: 0-255), Hue Adjustment (Value: 0-100)
Digital Image Stabilization (DIS)	Yes
Orientation	Mirror(Flip left-to-right/ Flip top-to-bottom)/ Corridor
ROI (Region of Interest)	Stream 1/ Stream 2; 5 Zones , Low / Medium /High
Privacy Mask	5 Masks
OSD	Text Position: Top Left/ Top Right/ Bottom Left/ Bottom Right Text Color: Transparent/ Translucent; Black/ White/ Green/ Yellow Text Content: Date/Time, Camera Name, Camera Name+ Date/Time, Custom Text
Exposure	Auto/ Locked
Shutter Speed	1/7 - 1/20000 sec.
Gain Control	OFF/ Low/ Medium/ High/ User Define(Value Adjustment Range 1-512)
BLC	Disable / Enable
Wide Dynamic Range	Multi shutter WDR 140dB; Off/ Auto
AWB (Auto White Balance)	Auto/ OFF (RG Gain 0.00-10.00, BG Gain 0.00-10.00)
Defog	OFF/Low/ Medium/ High
Noise Reduction (Noise Filter)	On/Off (Level 1 - 11)
Day/Night	Auto/ Forced Day/ Force Night/ Schedule/ Light Sensor

Specifications



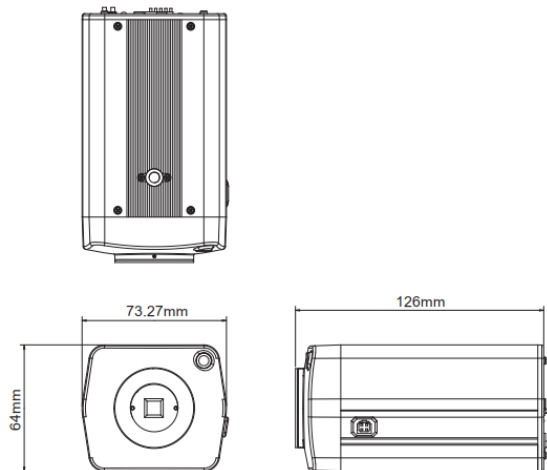
Image Profile Control	Force Day/ Force Night/ Auto(Follow Day Night Control)
ICR (IR Cut) Control	Force Day/ Force Night/ Auto(Follow Day Night Control)
External Lighting Control	On/ OFF
Video	
Video Streaming	Triple Streaming
Video Compression	H.265/ H.264/ MJPEG
Video Resolution/Frame Rate	3MP (2048 x 1532) @30 fps, FHD 1080P (1920 x 1080) @30fps 720P (1280 x 720) @30 fps, VGA (640 x 480) @30fps, CIF (320 x 240) @30 fps
Video Quality	H.265 / H.264: CBR/ CVBR; MJPEG: Low/ Medium/ High
Bit Rate	64-8000 kbit/s
Frame Rate	30fps max
GOP Length	1-120 level
Smart Streaming	Smart ROI, FPS, GOP
Audio	
Audio Streaming	Support Full-Duplex; Volume: Low/ Mid/ High
Audio Compression	G.711 8KHZ/ 16bits; U-Law/ A-Law
Event Triggers & Actions	
Alarm Detection	On/ Off/ Schedule
Motion Detection	On/ Off/ Schedule, 5 Zones, Sensitivity: range 1-100
Tampering Alarm	On/ Off/ Schedule, Sensitivity: Low/ Medium/ High
Object/ Intrusion Detection	On/ Off/ Schedule (Line) Object-Counting (One way/ Two way) / Line Intrusion (One way/ Two way) / Zone Object-Counting (Inside/ Outside) / Zone Intrusion (Inside / Outside)
Event Trigger	Alarm Detection, Motion Detection, Tampering Alarm, Object Detection, Intrusion Detection
Event Actions	Save Video/Snapshot to SD card (5 seconds pre-recording, 100 seconds post-recording, AVI & JPEG format) File upload stream to FTP Server, HTTP Network Shortage E-mail notification via SMTP Alarm output
Network	
Interface	10/100/1000 Mbps Ethernet, RJ-45
Protocol	TCP/IP, UDP, RTP, RTSP, RTMP, FTP, SNMP, SMTP, DHCP, DNS, DDNS, NTP, UPnP, ONVIF, IPv4/v6, HTTP, HTTPS, SSL, SSH, IEEE802.1x, Firewall, LDAP, GB28181
Security	HTTP encryption/Multi-level user management (15 users)/IP address filtering
Connectivity	ONVIF Profile S, G, Q, T
DDNS Settings	Support DynDNS/NO-IP/Two-DNS server
Multicast Function	Yes
Browser	Internet Explorer, Chrome, Firefox, Safari
General	
Audio I/O	3.5 mm phone jack x1; Line-in, Line-out

Specifications



Digital I/O	Alarm-in x 2, Alarm-out x 2
Others I/O	Strobe control x1, Flash control x1(optional), RS485 x1(optional), RS232 x1(optional)
Weatherproof	IP66
Operating Temperature	-10°C to 50°C (14°F to 122°F)
Humidity	90% RH (No Condensation)
Power Source	PoE (IEEE 802.3af/at), DC 12V/AC 24V terminal block
Power Consumption	Maximum 10W
Dimension	350mm (D) x 110mm (W) x 80mm (H)
Application	SDK available for application development
Micro SD	Micro SDHC support up to 128GB
Weight	4 kg
Certification	CE/FCC
Ordering Information	TBR925

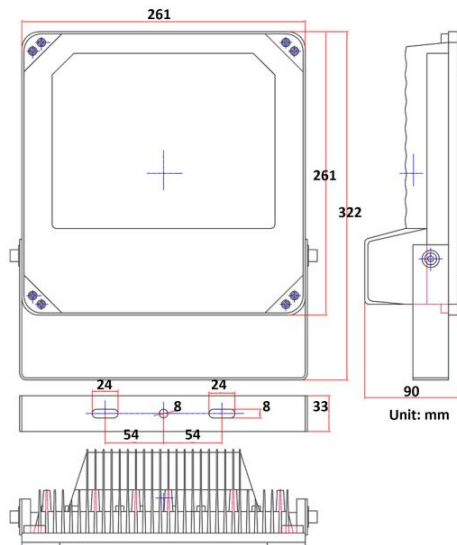
Dimension Drawing



External Illuminator	AIR100-S
Illumination Distance	100M (328ft)
LED Type	48pcs Strobe IR LEDs/White LEDs
Angle	8°
Wavelength	850nm (IR LEDs)
Day & Night Switch	Setup and Adjustment by RS485, Sync Exposure time through Strobe I/O
Voltage	AC110-220V (built-in switching power adaptor)
Power Consumption	Avg: 40W, Peak: 100W
Housing	Aluminum die-casting housing
Panel	High light transmittance toughened glass
Mounting	Wall mounting "U" bracket
Dimension	261*261*90 mm
Weight	3.75kg
Operation Temperature	-40°C ~60°C (-40° ~140°F)
Weather/ Vandal Proof	IP66
Ordering Information	AIR100-S: 100M(328ft) External Strobe IR LEDs Illuminator TBR925-100S TBR925 LPR/ANPR IR LEDs camera with 100M(328ft) External IR LEDs Illuminator

Dimension Drawing

AIR100-S



2019-12-03 released
Preliminary version
Specifications are subject to change without notice.
Copyright © DivioTec Inc. 2019.
All Rights Reserved