



Full HD Multi-Streams Extreme WDR
Compact Bullet IP Camera
NBR225P

User's Manual

Ver. 1.4

Table of Contents

1. Overview	2
1.1 Features	2
1.2 Package Contents	3
1.3 Dimensions	4
1.4 Function Cables	5
1.5 Micro SD Card Slot / Default Button	6
2. Camera Cabling	7
2.1 Power Connection	7
2.2 Ethernet Cable Connection	7
2.3 Waterproof Cable Connector	8
3. System Requirements	9
4. Access Camera	10
5. Setup Video Resolution	13
6. Configuration Files Export / Import	14
7. Tech Support Information	15
7.1 Delete the Existing Viewer	15
7.2 Setup Internet Security	16

1. Overview

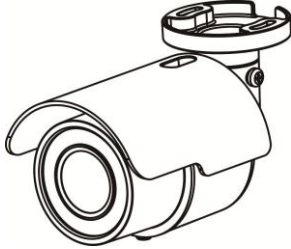
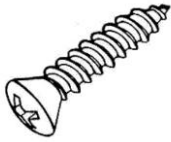

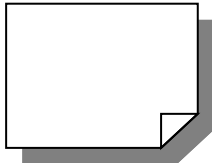

The Full HD Multi-Streams Extreme WDR Compact Bullet IP Camera supports both H.264 and MJPEG standard. The H.264 encoder performance is up to 1080P at 60 fps. Also, the camera can supply dual full HD 1080P real-time streaming. With more computing power, the camera could provide more flexibility for users and system managers. The camera also supports shutter WDR function, which can provide better image quality under extreme light contrast scenarios or light changing environments.

1.1 Features

- Sony Progressive Scan CMOS Sensor
- 2M Resolution
- Quad Streams Support
- Dual Streams- Full HD 1080P Real-time + Full HD 1080P Real-time
- Dual Stream Compression- H.264 Baseline / Main / High Profile + MJPEG
- Multi-language Support
- Smart Event Function-
Motion Detection / Network Failure Detection / Tampering Alarm / Periodical Event / Manual Trigger / Face Detection / Audio Detection
- Ultra Dynamic Range
- Privacy Masks
- 3D Noise Reduction / 2D Noise Reduction
- Smart IR Mode
- Day / Night (ICR)
- IR LED Module
- Digital Image Stabilization (DIS)
- Weatherproof (IP66 International)
- microSD Support
- ONVIF Support

1.2 Package Contents

Please check the package containing the following items listed below.

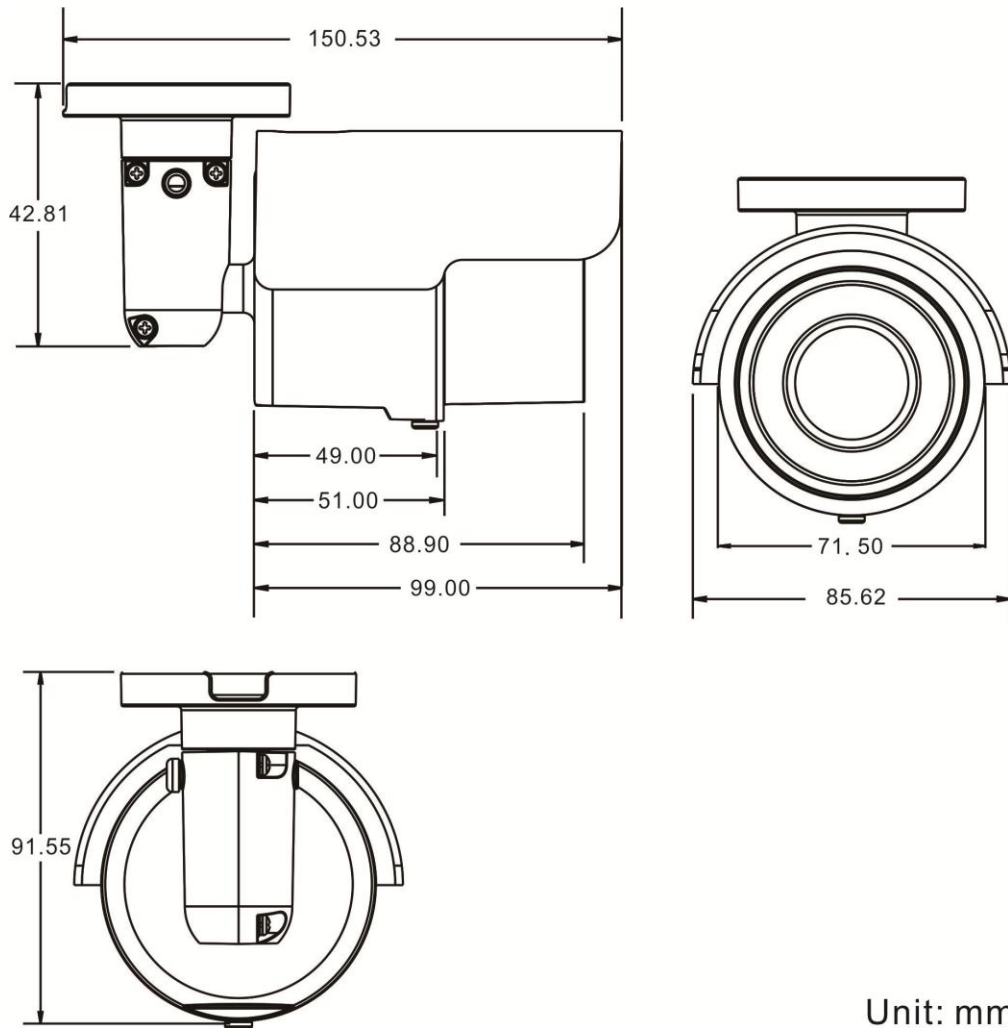
 <p>Full HD Multi-Streams Extreme WDR Compact Bullet IP Camera with Vari-Focal Lens</p>	
 <p>Self-Tapping Screw (x5)</p>	 <p>Plastic Screw Anchor (x5)</p>
 <p>Quick Guide</p>	 <p>CD (bundled software and documentation)</p>



NOTE: The supplied self-tapping screws are for soft substances / materials such as wood. For other installation environments such as cement wall, it is required to pre-drill and use plastic anchors before fastening the supplied self-tapping screws on the wall.

1.3 Dimensions

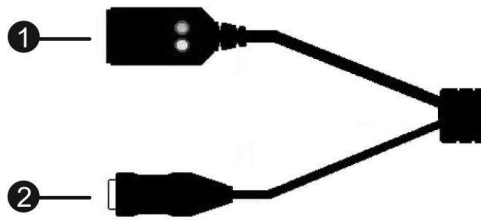
The dimensions of the camera are shown below.



Unit: mm

1.4 Function Cables

RJ-45 & DC 12V Cable

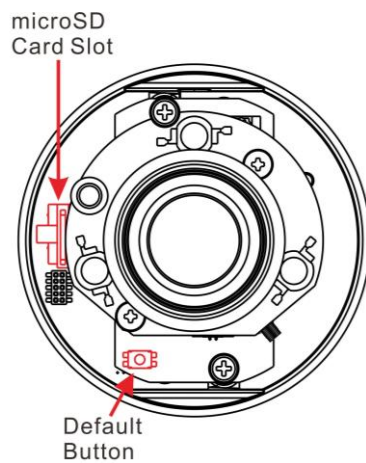


Pin Definition

No.	Connector	Definition
1	RJ-45	For network and PoE connection
2	Power Jack (DC 12V)	Power connection

1.5 Micro SD Card Slot / Default Button

The positions of the microSD card slot and the default button are shown as below.



Vari-Focal Lens

microSD Card Slot

Insert the microSD card into the card slot to store videos and snapshots. Do not remove the microSD card when the camera is powered on.



NOTE: It is not recommended to record with the microSD card for 24/7 continuously, as it may not be able to support long term continuous data read/write. Please contact the manufacturer of the microSD card for information regarding the reliability and the life expectancy.

Default Button

Press the button with a proper tool for at least 20 seconds to restore the system.

2. Camera Cabling

Before users connect cables, make sure that all cables and the power adaptor are placed in dry and well-waterproofed environments, e.g. waterproof boxes. The purpose is to prevent moisture accumulation inside the camera and moisture penetration into cables, which might lead to camera breakdown. Please follow the instructions below to complete camera connection.

2.1 Power Connection

For power connection, please refer to section [Function Cables](#). Alternatively, users can power the camera by PoE if a Power Sourcing Equipment (PSE) switch is available. Refer to the section below for Ethernet cable connection.



NOTE: If PoE is used, make sure PSE is in use in the network.

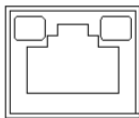
2.2 Ethernet Cable Connection

For best transmission quality, cable length shall not exceed 100 meters. Connect one end of the Ethernet cable to the RJ-45 connector of the camera, and plug the other end of the cable to the network switch or PC.



NOTE: In some cases, Ethernet crossover cable might be needed when connecting the IP camera directly to the PC.

Check the status of the link indicator and the activity indicator LEDs. If the LEDs are unlit, please check the LAN connection.



Green Link Light indicates good network connection.

Orange Activity Light flashes for network activity indication.

2.3 Waterproof Cable Connector

Follow the instruction below to waterproof the connectors.

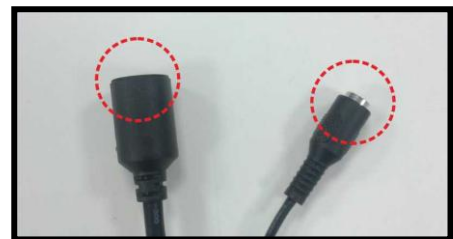


RJ-45 & DC 12V Cable

Follow the steps below to waterproof the connectors of the All-in-One cable.

Step 1:

Connect the required devices to the RJ-45 & DC 12V cable and coat the joints with silicone gel. There should be no gap between the connectors and the cables.



Step 2:

Seal the spot indicated in the figure on the right with silicone gel. Make sure there is no gap between the cables and the hole; otherwise, waterproof function cannot be guaranteed.



3. System Requirements

To perform the IP camera via web browser, please ensure the PC is in good network connection, and meet system requirements as described below.

Items	System Requirement
Personal Computer	1. Intel® Pentium® M, 2.16 GHz or Intel® Core™2 Duo, 2.0 GHz 2. 2 GB RAM or more
Operating System	Windows VISTA / Windows XP / Windows 7
Web Browser	Microsoft Internet Explorer 6.0 or later Firefox Chrome Safari
Network Card	10Base-T (10 Mbps), 100Base-TX (100 Mbps) or 1000Base-T (1000 Mbps) operation
Viewer	ActiveX control plug-in for Microsoft IE

4. Access Camera

For initial access to the camera, users can search the camera through the installer program: DeviceSearch.exe, which can be found in “Device Search” folder in the supplied CD.

Accessing the Camera by Device Search Software

- Step 1:** Double click on the program Device Search.exe.
- Step 2:** After its window appears, click on the <Device Search> button on the top. All the finding IP devices will be listed in the page.
- Step 3:** Find the camera in the list by its IP address and click on it. The default IP address of the camera is: **192.168.0.250**.
- Step 4:** The default IP address of the camera may not be in the same LAN as the IP address of the PC. If so, the IP address of the camera needs to be changed. Right click on the camera and click <Network Setup>. Meanwhile, record the MAC address of the camera, for future identification.
- Step 5:** The <Network Setup> page will come out. Select <DHCP> and click <Apply> down the page. The camera will be assigned with a new IP address.
- Step 6:** Click <OK> on the Note of setting change. Wait for one minute to re-search the camera.
- Step 7:** Click on the <Device Search> button to re-search all the devices. Find the camera in the list by its MAC address. Then double click or right click and select <Browse> to access the camera directly via a web browser.

Step 8: A prompt window requesting for default username and password will appear. Enter the default username and password shown below to login to the camera.

Login ID	Password
Admin	1234



NOTE: ID and password are case sensitive.



NOTE: It is strongly advised that administrator's password be altered for the security concerns. Refer to the [Full HD Multi-Streams Ultra-WDR IP Camera Menu Tree](#) in the supplied CD for further details.

Installing Viewer Software Online

For the initial access to the IP camera, a client program, Viewer, will be automatically installed to the PC when connecting to the camera.

If the web browser doesn't allow Viewer installation, please check the Internet security settings or ActiveX controls and plug-ins settings (refer to section [Setup Internet Security](#)) to continue the process.

The Information Bar (just below the URL bar) may come out and ask for permission to install the ActiveX Control for displaying video in browser. Right click on the Information Bar and select <Install ActiveX Control...> to allow the installation. Then the security warning window will pop up. Click on <Install> to carry on the software installation.

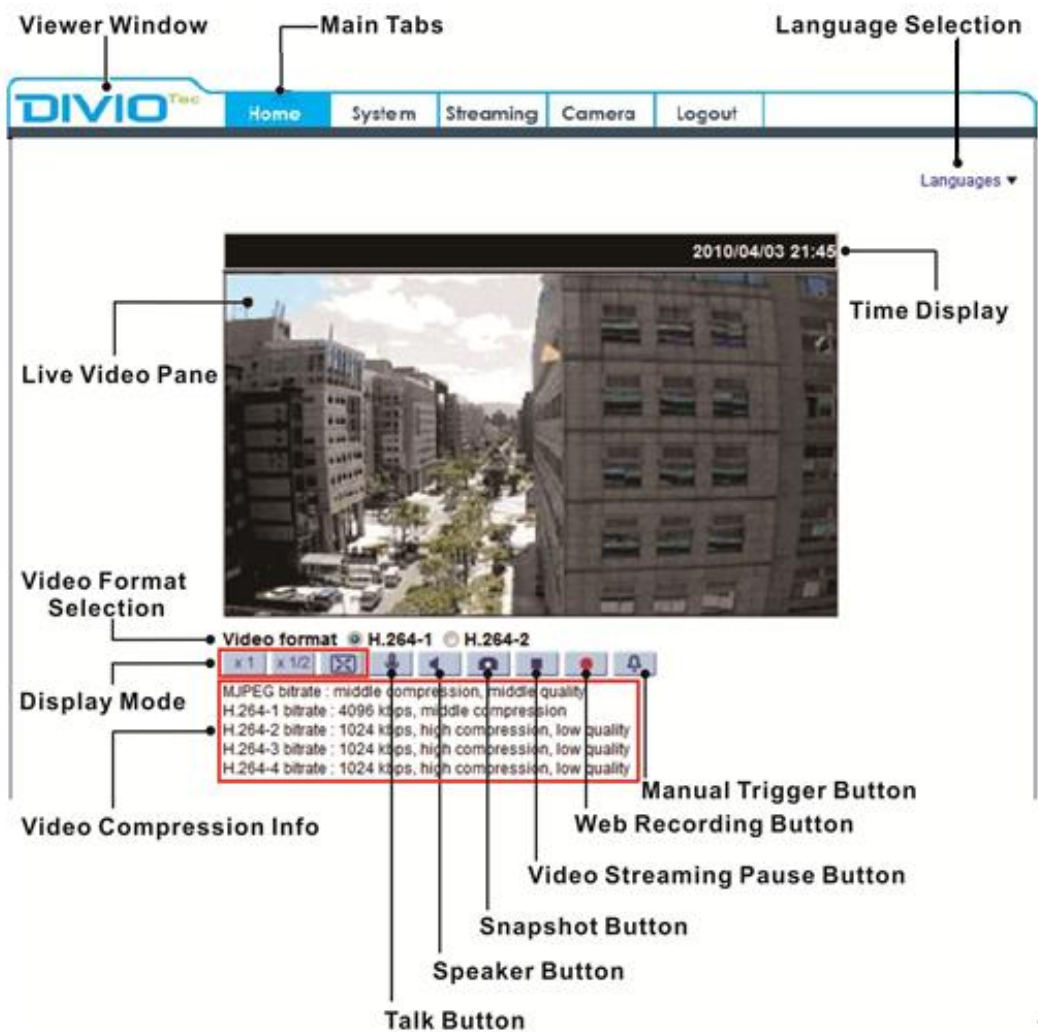
The download procedure of Viewer software is specified as follows.

Step 1: In the Viewer installation window, click on <Next> to start the installation.

Step 2: A status bar will be displayed to show the installation progress. After the installation is completed, click on <Finish> to exit the installation process.

Step 3: Click on <Finish> to close the Viewer installation page.

Once the Viewer is successfully installed, the Home page of the IP camera will be displayed as the figure below.



5. Setup Video Resolution

Users can setup video resolution on Video Format page of the user-friendly browser-based configuration interface.

Video Format can be found under this path: **Streaming> Video Format**.

The screenshot shows the DIVIO Tec configuration interface. The top navigation bar includes 'Home', 'System', 'Streaming' (highlighted in red), 'Camera', and 'Logout'. A left sidebar contains menu items: 'Video Format' (highlighted in red), 'Video Compression', 'Video OCX Protocol', 'Video Frame Rate', 'Video Mask', and 'Audio'. The main content area is titled 'Video Format' and contains the following sections:

- Video Resolution :** A dropdown menu set to 'H.264 + H.264'. Below it, 'Format 1' is set to '1920 x 1080 (60 fps)' with a profile of 'H-264-1'. 'Format 2' is set to '720 x 480 (60 fps)' with a profile of 'H-264-2'. 'BNC support' is 'N/A'. A 'Save' button is present.
- Note :** Image attachment by FTP or E-mail will be available only while MJPEG streaming is selected.
- Text Overlay Settings :** Checkboxes for 'Include date' and 'Include time' are unchecked. 'Include text string' has an empty input field. A 'Save' button is present.
- Video Rotate Type :** A dropdown menu set to 'Normal video'. A 'Save' button is present.
- GOV Settings :** Four input fields for GOV Length are all set to '30': 'H.264-1 GOV Length', 'H.264-2 GOV Length', 'H.264-3 GOV Length', and 'H.264-4 GOV Length'. A 'Save' button is present.
- H.264 Profile :** Four dropdown menus for profiles are all set to 'Main profile': 'H.264-1', 'H.264-2', 'H.264-3', and 'H.264-4'. A 'Save' button is present.

The default values of video resolution are as below.

2M	H.264- 1920 x 1080 (25/30 fps) + H.264- 720 x 576 (25 fps) / H.264- 720 x 480 (30 fps) H.264- 1920 x 1080 (25/30 fps) + H.264- 640 x 480 (25/30 fps)
-----------	--

6. Configuration Files Export / Import

To export / import configuration files, users can access the Maintenance page on the user-friendly browser-based configuration interface.

The Maintenance setting can be found under this path: **System> Maintenance**.

Users can export configuration files to a specified location and retrieve data by uploading an existing configuration file to the camera. It is especially convenient to make multiple cameras having the same configuration.

Export

Users can save the system settings by exporting the configuration file (.bin) to a specified location for future use. Click on the <Export> button, and the pop up File Download window will come out. Click on <Save> and specify a desired location for saving the configuration file.

Upload

To upload a configuration file to the camera, please first click on <Browse> to select the configuration file, and then click on the <Upload> button for uploading.

7. Tech Support Information

This chapter will introduce how to delete previously-installed Viewer in the PC and how to setup the Internet security.

7.1 Delete the Existing Viewer

For users who have installed Viewer in the PC previously, please remove the existing Viewer before accessing the IP camera.

Deleting the Viewer

Activate the <Control Panel>, and then double click on <Add or Remove Programs>. In the <Currently installed programs> list, select <Viewer> and click on <Remove> to uninstall the existing Viewer.

Deleting Temporary Internet Files

To improve browser performance, it is suggested to clean up all the files in the <Temporary Internet Files>. The procedure is as follows.

Step 1: In the web browser, click on the <Tools> tab on the menu bar and select <Internet Options>.

Step 2: Click on the <Delete> button under <Browsing history> section. Then tick the box beside the <Temporary Internet Files>.

Step 3: Click on <Delete> to start deleting the files.

7.2 Setup Internet Security

If ActiveX control installation is blocked, please either set Internet security level to default or change ActiveX controls and plug-ins settings.

Internet Security Level: Default

Step 1: Start the Internet Explorer (IE).

Step 2: Click on the <Tools> tab on the menu bar and select <Internet Options>.

Step 3: Click on the <Security> tab, and select <Internet> zone.

Step 4: Down the page, click on the <Default Level> button, and click on <OK> to confirm the setting. Close the browser window, and restart a new one later to access the IP camera.

ActiveX Controls and Plug-ins Settings

Step 1: Repeat **Step 1 to Step 3** of the previous section above.

Step 2: Down the page, click on the <Custom Level> button to change ActiveX controls and plug-ins settings. The Security Settings window will pop up.

Step 3: Under <ActiveX controls and plug-ins>, set **ALL** items (as listed below) to <Enable> or <Prompt>. Please note that the items vary by IE version.

ActiveX controls and plug-ins settings:

1. Binary and script behaviors.
2. Download signed ActiveX controls.
3. Download unsigned ActiveX controls.
4. Allow previously unused ActiveX controls to run without prompt.
5. Allow Scriptlets.
6. Automatic prompting for ActiveX controls.
7. Initialize and script ActiveX controls not marked as safe for scripting.
8. Run ActiveX controls and plug-ins.
9. Only allow approved domains to use ActiveX without prompt.
10. Script ActiveX controls marked safe for scripting*.
11. Display video and animation on a webpage that does not use external media player.

Step 4: Click on <OK> to accept the settings. Then there will be a prompt window for confirming the setting changes, click <Yes(Y)> and close the Security Settings window.

Step 5: Click on <OK> to close the Internet Options screen.

Step 6: Close the browser window, and restart a new one later to access the IP camera.