

# AIR080

High Power Infra-Red/White Illuminator Outdoor usage, Compact size , High Efficiency , Weatherproof Protection IP66, Vandal-resistant Panel with IK10, Illumination Distance 80M(262ft) Operation Temperature -40° ~ 60 °C(-40°~140°F)



## Why DivioTec?

DivioTec's aim is to transcend the capabilities of the human eye and deliver an entirely new field of view. Our integrative skills and our 20 years of industry experience are constantly driving new innovations.

Our simple, easy-to-use interfaces and our rock-solid security hardware are rapidly earning the respect and confidence of our clients.

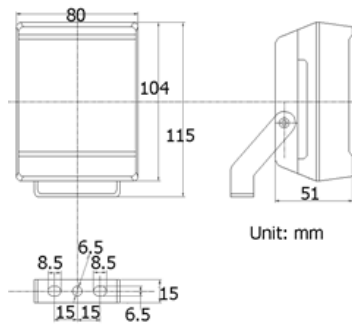
We also make a point of listening carefully to our customers' needs, applying what we learn to develop outstanding new products and a culture of exceptional service.

At DivioTec, our experience is your protection.

- Lighting Distance 80M (262ft)
- High Power IR illuminator (White LEDs optional)
- Source of night illumination with the longest service life
- Deliver high power Infrared(White) light for network camera at night time
- Improve performance of camera to get clear pictures
- Vandal-resistant PC panel with IK10
- Weatherproof IP66

<b>Model: AIR080</b>	
Illumination Distance	80M (262ft)
Angle	30°
LED Type	6 pieces high power IR LEDs/White LEDs
Wavelength	850nm(IR LEDs)/ 560-570nm(White LEDs)
Day & Night Switch	Auto by camera photocell sensitivity(10-20 lux) through digital I/O
<b>Power System</b>	
Voltage	PoE IEEE 802.3af
Power Consumption	12W(850nm)
<b>General Structure</b>	
Housing	Aluminum die-casting housing
Panel	High light transmittance toughened glass
Color	Black
Mounting	Wall mounting "U" bracket
<b>Mechanism</b>	
Dimension	80*155*51 mm
Weight	0.53 kg
<b>Environment</b>	
Operation Temperature	-40°C ~60°C(-40°F~140°F)
Weatherproof Protection	IP66
Vandal Proof	IK10
<b>Ordering Information</b>	
AIR080-POE	Power Adaptor with IR LEDs board
AIR080W-POE	Power Adaptor with White LEDs board(White Light)

Dimension Drawing



AIR080-POE with IR LEDs



AIR080W-POE with White LEDs



2018-09-28 released  
 Specifications are subject to change without notice.  
 Copyright © DivioTec Inc. 2018.  
 All Rights Reserved