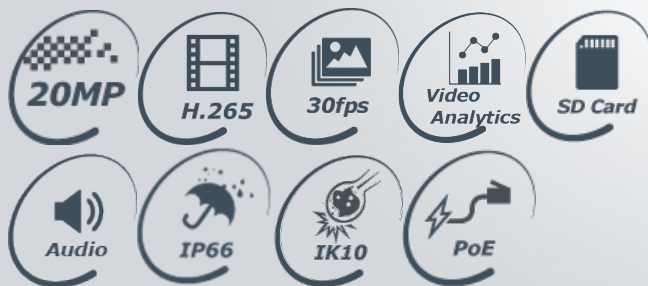


NMP851

Four sensors, 20 MP Resolution, 360° Omni-Directional Remote-Configurable Panoramic Camera, Single IP Address Output, Motorized Lens, 55M(180ft) IR Distance, IP66 weatherproof, IK10 Vandal Resistance



Why DivioTec?

DivioTec's aim is to transcend the capabilities of the human eye and deliver an entirely new field of view. Our integrative skills and our 20 years of industry experience are constantly driving new innovations.

Our simple, easy-to-use interfaces and our rock-solid security hardware are rapidly earning the respect and confidence of our clients.

We also make a point of listening carefully to our customers' needs, applying what we learn to develop outstanding new products and a culture of exceptional service.

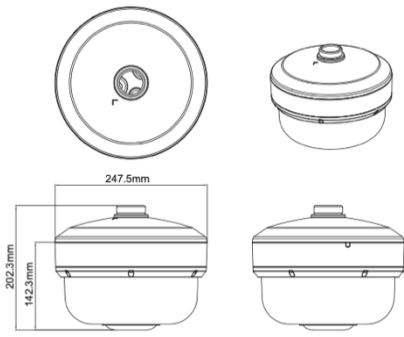
At DivioTec, our experience is your protection.

- 20MP, 4 sensors 1/2.8" 5MP CMOS progressive sensor
- Support 5MP @30 fps
- 4 Motorized Lens 2.7~13.5mm, F1.4
- IR Illuminator: 55M(180ft) IR Distance, Smart IR+
- Multi Shutter WDR 140dB
- H.265/H.264/ M-JPEG Video Compression
- Preset Position to create 360°, 270°, or 180° Field of View, or Save Custom Preset
- No Touch Setup: 4 Individual Camera Gimbals Each with a Varifocal Motorized Lens That Can be Remotely Setup in Any Position Around a 360° Track
- 360°/270°/180° Coverage for various applications
- IP66 Weatherproof, IK10 Vandal Resistance
- Operating Temperature from -40°C to 60°C (-40°F to 140°F)
- ONVIF Profile S, G, Q, T

Camera: NMP851	
Image Sensor	20MP, 4pcs 1/2.8" 5MP CMOS progressive sensor
Coverage	360°/ 270°/ 180°
Minimum Illumination	0.15 lux@F1.2, 1/30s
Lens	
Lens Type	Motorized
Focal Length	2.7~13.5mm, F1.4
Field of View	107° (H)/ 77° (V)/ 145° (D)
Angle Adjustment	Remotely adjustable, Pan: 360° / Tilt: 90°
IR	
IR Illuminator	Up to 55M(180ft)
IR Control	Smart IR+
Image Setting	
Shutter Speed	Auto/ Manual (1/7~1/20000)
WDR	Multi Shutter 140dB, @30fps
Day/ Night	Auto/ Force Day/ Force Night/ Schedule
ICR Day/ Night	Auto/ ON/ OFF
Gain Control	Yes
Auto Exposure	Sync Brightness/ Sync Brightness 50Hz/ Sync Brightness 60Hz/ Auto/ 50Hz/ 60Hz/ Lock
White Balance	Auto/ Off
BLC	Disable/ Enable
Orientation	Flip left-to-right, Flip top-to-bottom
Privacy Mask	5 Areas each View
OSD	OFF, Date/Time, Camera Name, Custom Text
Picture Adjustment	Brightness, Contrast, Saturation, Sharpness, Hue
ROI (Region of Interest)	5 Zones, 3 Level: Low /Medium /High
Local Storage	Yes (stream 2, max. 1920x1080), 2x SD Card
Min. Focus Distance	1 Meter
Video Analysis	Yes
Video	
Video Compression	H.265 / H.264/ M-JPEG
Video Streaming	Triple streaming
Video Resolution	2592x1944 to 640x480 each channel
SDS (Smart Dynamic Streaming)	Smart GOP, ROI
Bit Rate	Stream 1: 500-1200 kbit/s, Stream 2: 64-4000 kbit/s

Event Triggers & Actions	
Event Trigger	Alarm Handler, Motion detection, Tampering Alarm: 5 areas per view
Notifications	File upload via FTP, HTTP, Network Storage and email Notification via email, HTTP, TCP Video recording to SD card, FTP Alarm output port Play Audio Clip
Alarm Handler	On/ Off/ Schedule
Motion Detection	On/ Off/ Schedule; 5 Zones
Tampering Alarm	On/ Off/ Schedule
Post/ Pre-Recording	Yes
Network	
Interface	10/100/1000 Mbps Ethernet, RJ-45
Protocol	TCP/IP, UDP, ICMP, IPv4, Ipv6, SNMP v2c/v3, QoS, HTTP, HTTPS, LDAP (client), SSL, SMTP, FTP, RTSP, UpnP, DNS, NTP, RTP, RTCP, DynDNS, Zero Configure
User	10 user account/ 2 level: admins/ views
Connectivity	ONVIF Profile S, G, Q, T
Browser	Google Chrome (recommended), Internet Explorer, Mozilla Firefox
General	
Operating Temperature	-40°C ~ 60°C (-40°F ~ 140°F) (IR OFF)
Storage Temperature	-40°C ~ 60°C (-40°F ~ 140°F)
Humidity	90% RH, No Condensation
Weatherproof	IP66
Vandal proof	IK10
Dimension	Ø 247.5 mm x 142.3 mm (H)
Weight	3425 g
Alarm I/O	Alarm (terminal block -in*1/-out*1)
Audio	Two-way, Line-in/Line-out (phone jack), G.711 8KHz/ 8 bits
Power Input	PoE (IEEE 802.3bt Class 5); DC 24V/AC 24V, 40W max.
Micro SD	Yes
Reset Button	Yes
Certification	CE/FCC
Application	SDK available for application development
Order Information	NMP851 Panoramic Multi-Sensor Network Camera with Power Adaptor AMS-101 Wall Mount Bracket for Panoramic Multi-Sensor Network Camera AMS-102 Ceiling Mount Bracket for Panoramic Multi-Sensor Network Camera

Dimension Drawing



Accessories (Optional)



2021-12-24 released
Specifications are subject to change without notice.
Copyright © DivioTec Inc. 2021.
All Rights Reserved