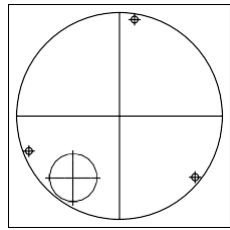


Quick Installation Guide

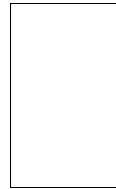
Accessories



Placement sticker



Mounting hardware



Quick guide



Desiccant packet

Physical Description

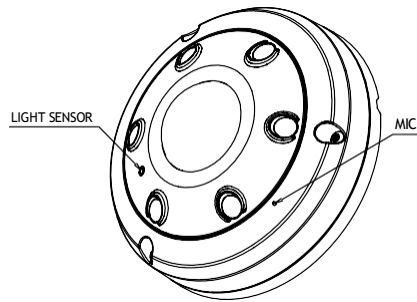


Figure 1

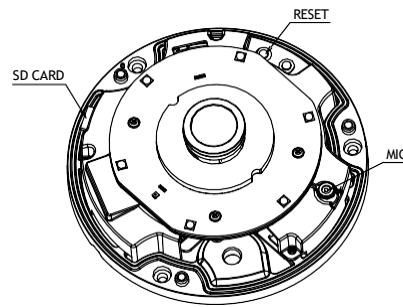
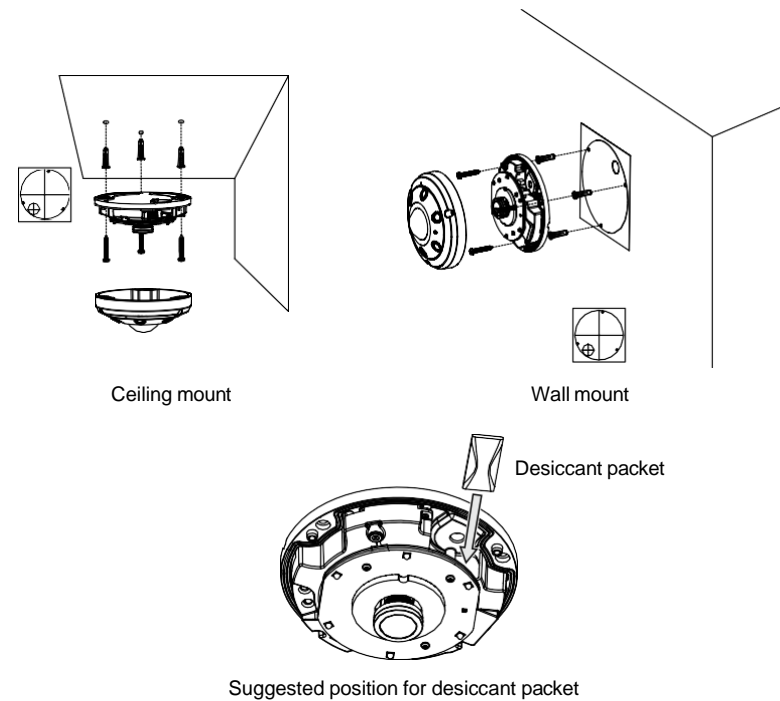


Figure 2

Hardware Installation (Ceiling mount/Wall mount)

1. Position the placement sticker at the desired installation location.
2. Drill three mounting holes, and insert the included screw anchors.
3. Drill a hole for the network cable.
4. Separate the top cover.
5. Put the desiccant packet in the suggested position.
6. Replace the top cover and secure it tightly using the supplied tool.



Network Operation

1. Install and double click the Cam Finder shortcut on the desktop. When the Cam Finder is launched, you can search cameras by clicking on the "search" button on the top panel. The camera will be displayed on the Cam Finder.
2. Double click the camera on the Cam Finder, you will be prompted with a pop-up window asking for login information, type in "Admin" (default login name) and "1234" (default password). Then you can access the camera web user interface and are able to update multiple settings.



Mounting Plate Drawing

